

LED Flexible Strip 5050 Series

LM5050-WN30-24V-HL-10mm



Product Feature

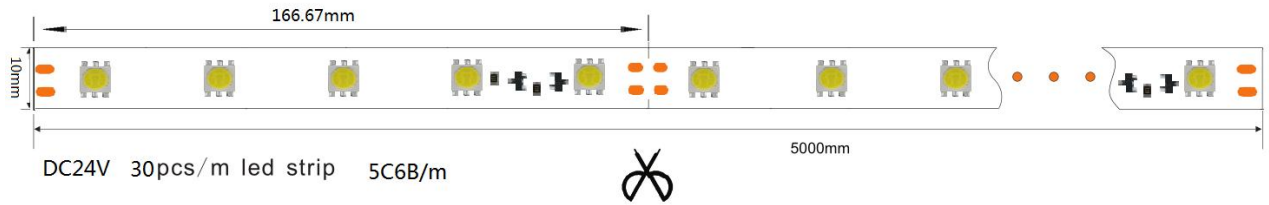
- ◆ **30** leds per meter, 5meters per roll, the theoretical power **6.6W/meter**, Actual power: W/m ,light angle 120 degrees. **25-28**lm per led chip.Can be customized according to needed.
- ◆ Flexible, cuttable,back with 3M double-sided adhesive,can be installed in the concave convex surface, easy to install.
- ◆ Led strip supports external light regulator type: 0/1-10V PWM Dali Dimmable inductive switch controller.
- ◆ Cutting unit is **166.7**mm, **5**ed chips can be used as a unit, cutting does not affect other parts. Normal length is 5 meters, other lengths also acceptable.
- ◆ Low power consumption, low fever, no glare, impact resistance, energy saving and environmental conservation.
- ◆ LED can be customized to glue dust (IP65), (IP66), silicone casing plus glue waterproof (IP68);
- ◆ Life time: Mean time between failure(MTBF):50-100K hour

CE RoHS FC

Technical Parameters

| Mode | LED Q'ty/M | Color temperature | | CRI(Ra) | | Voltage (V DC) | Electric current (A/m) | Power± 10%(W/m) | | | Lm/m ± 10% | FPC Width |
|--------------------|------------|-------------------|------------|---------|-----|----------------|------------------------|-----------------|------|-----|------------|-----------|
| | | | | Min | Max | | | Actual | Min | Max | | |
| LM5050-WN30-24V-HL | 30 | White | 6000-6500K | 80+ | 90+ | 24 | | | 0.72 | 7.2 | | 10mm |
| | | Natural Wite | 4000-4500K | | | | | | | | | |
| | | Warm white | 2200-3200K | | | | | | | | | |
| | | Red | 620-625nm | | | | | | | | | |
| | | Blue | 455-460nm | | | | | | | | | |
| | | Green | 520-525nm | | | | | | | | | |
| Yellow | 590-592nm | | | | | | | | | | | |

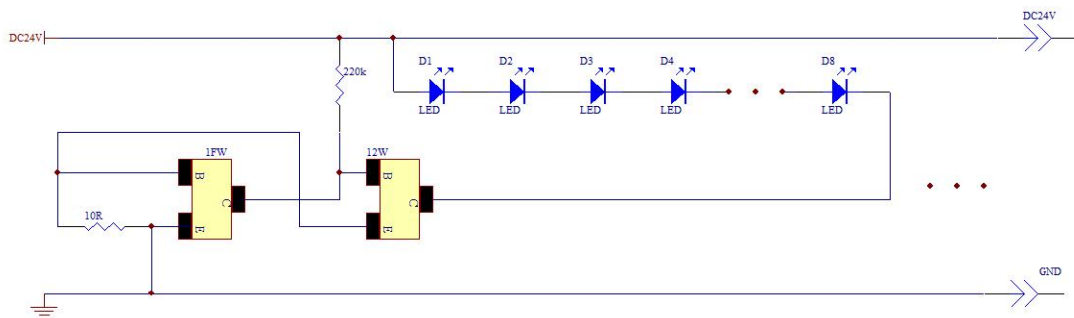
Dimension(mm/inch)



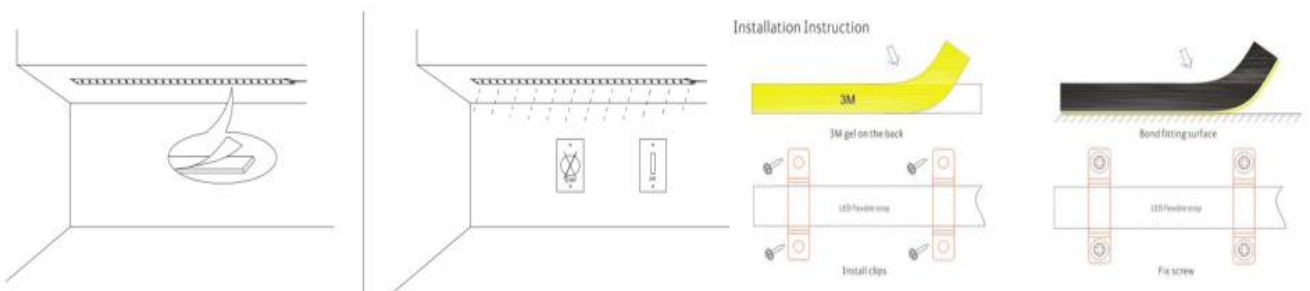
Product Electrical



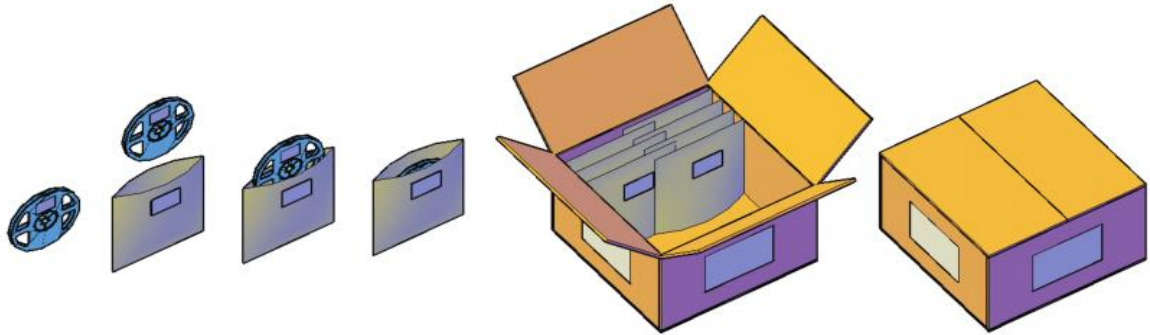
Linking Operation



Installation



Product Packaging



Safety Information

- The strip itself and all its components may not be mechanically stressed.
- Assembly must not damage or destroy conducting paths on the circuit board.
- Installation of LED ribbon (with power supplies) needs to be made with regard to all applicable electrical and safety standards. Only qualified personnel should be allowed to perform installations.
- Correct electrical polarity needs to be observed. Wrong polarity may destroy the strip.
- Parallel connection is highly recommended as safe electrical operation mode.
- Serial connection is not recommended. Unbalanced voltage drop can cause hazardous overload and damage the strip.
- Please ensure that the power supply is of adapters power to operate the total load.
- When mounting on metallic or otherwise conductive surfaces, there needs to be an electrical isolation points between strip and the mounting surface.
- Pay attention to standard ESD precautions when installing the strip.
- Damaged by corrosion will not be honored as a materials defect claim. It is the user's responsibility to provide suitable protection against corrosive agents such as moisture and condensation and other harmful elements.